

The Valla V110R pick & carry crane is one of our new generation mini cranes that are operated by wireless remote control. This gives the operator complete freedom to choose the optimum location for controlling a lift, enhancing safety and productivity.



Wireless Remote Control

**11,000kg** Max Lifting Capacity



CPCS - A66 Compact Crane (B)



### Technical specification (basic machine)

Max Lifting Capacity	11,000kg
Max Working Height	10.0m
Max Working Radius	6.2m
Capacity @ Max Height	4,000kg
Capacity @ Max Radius	1,900kg
Power Source	Batteries
Height	1946mm
Length	3764mm
Width	1497mm
Total Machine Weight	11,400kg

### Optional Accessories

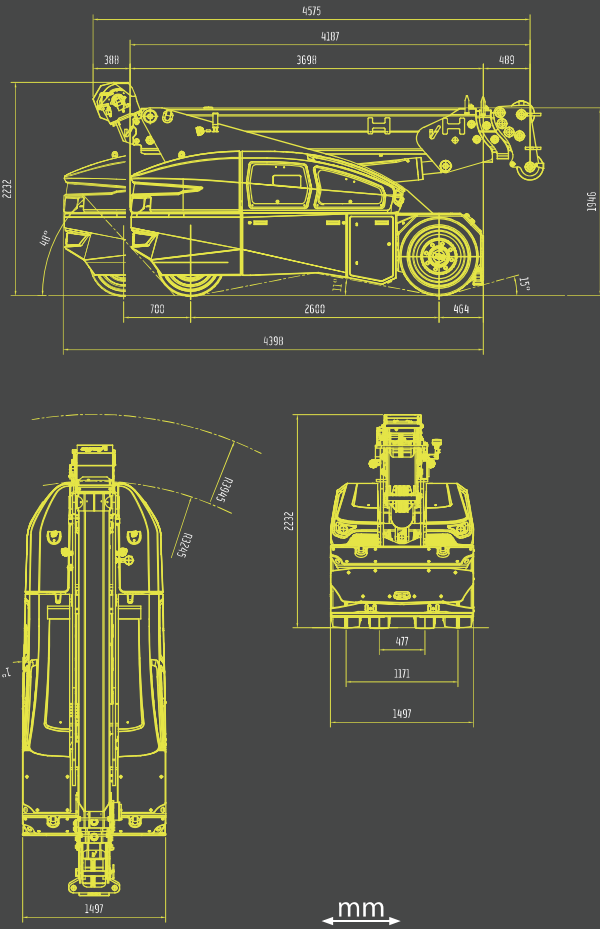
- Non-marking tyres
- Hydraulic winch & hook block
- Extendable wheelbase
- Forks
- Stabilizer crossbar
- Fly jib



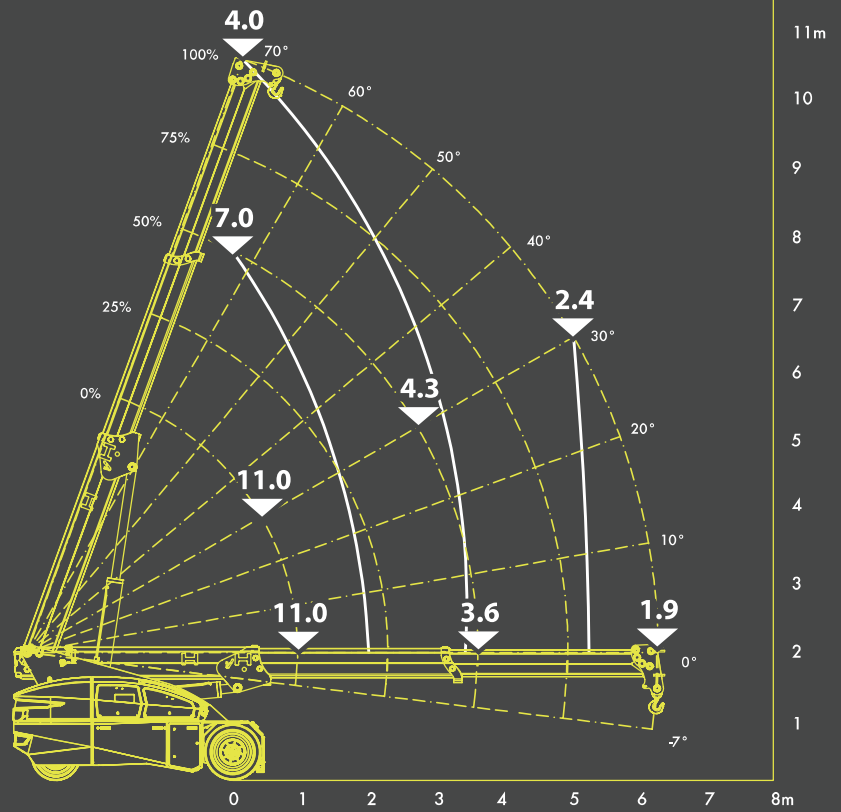
Optional fork attachment, fly jib and stabiliser crossbar

Product specifications are subject to change without prior notice or obligation. The photographs and/or drawings in this document are for illustrative purposes only

## Dimensions

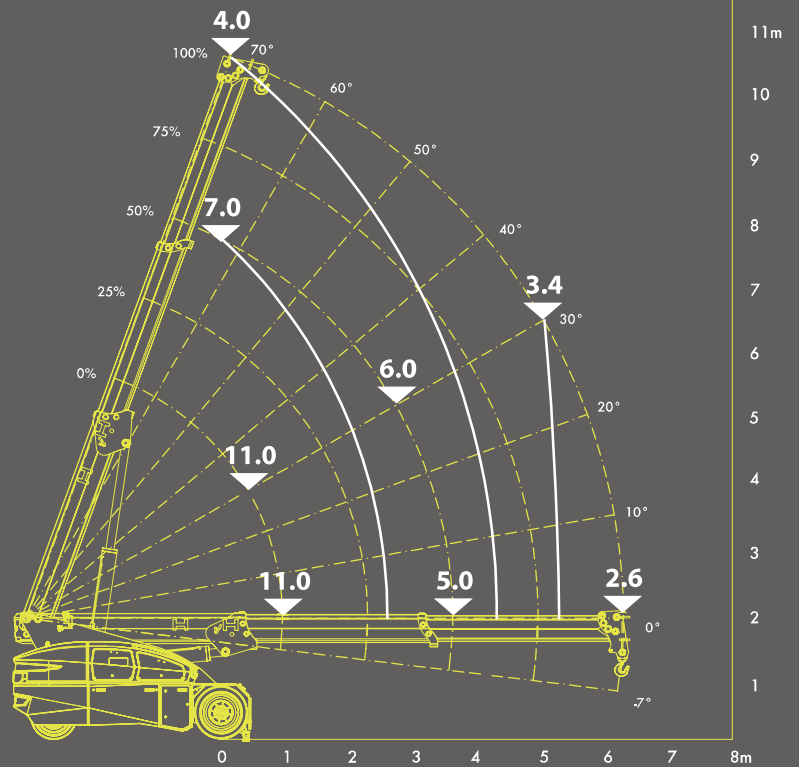


## Working envelope (basic machine)



## Fixed hook and winch with stabiliser crossbar

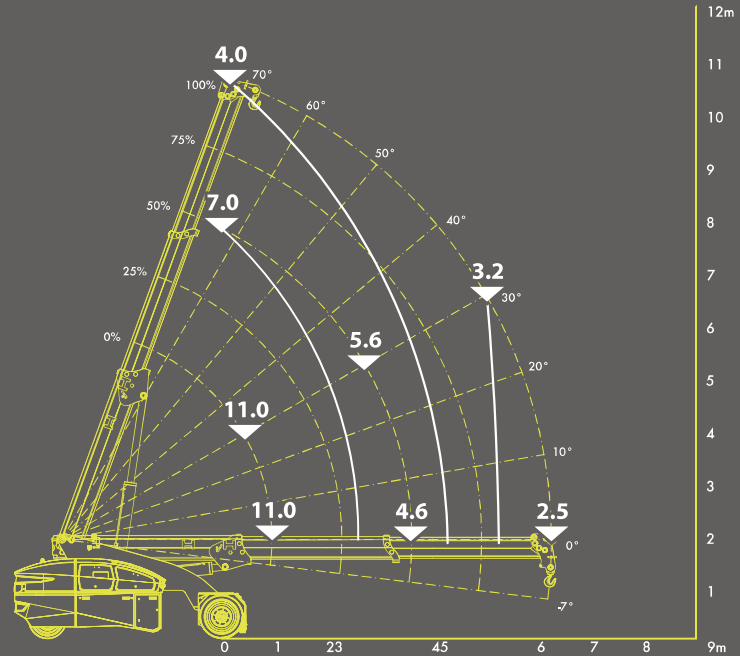
- Max. lifting capacity 11,000kg
- Max. working height 10.0m
- Max. working radius 6.2m
- Capacity @ max. height 4,000kg
- Capacity @ max. radius 2,600kg



Product specifications are subject to change without prior notice or obligation. The photographs and/or drawings in this document are for illustrative purposes only

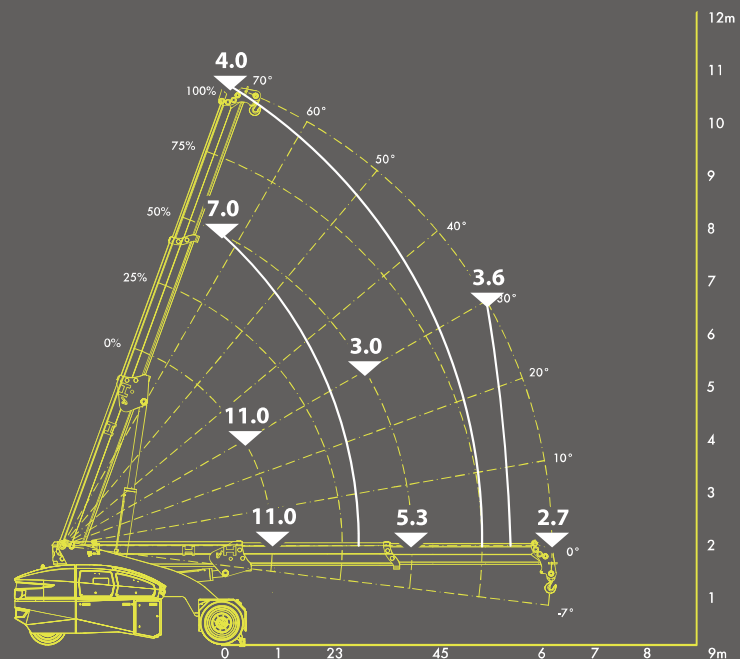
## Extended Chassis

- Max. lifting capacity 11,000kg
- Max. working height 10.0m
- Max. working radius 6.3m
- Capacity @ max. height 4,000kg
- Capacity @ max. radius 2,500kg



## Extended chassis and stabiliser crossbar

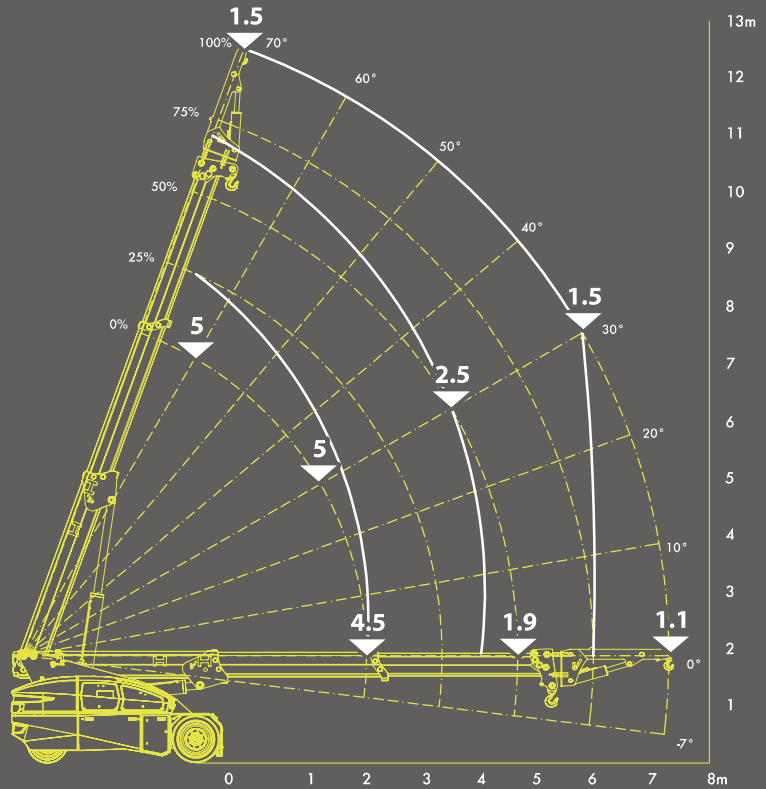
- Max. lifting capacity 11,000kg
- Max. working height 10.0m
- Max. working radius 6.3m
- Capacity @ max. height 4,000kg
- Capacity @ max. radius 2,700kg



Product specifications are subject to change without prior notice or obligation. The photographs and/or drawings in this document are for illustrative purposes only

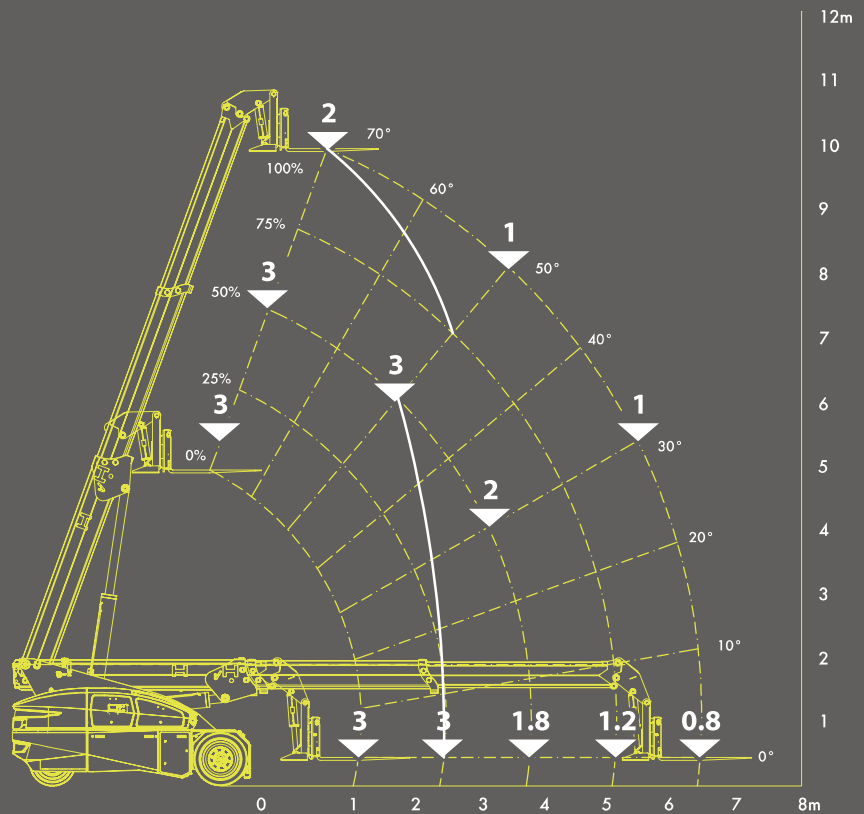
## Fly Jib specifications

- Max. lifting capacity 5,000kg
- Max. working height 12.5m
- Max. working radius 7.3m
- Capacity @ max. height 1,500kg
- Capacity @ max. radius 1,100kg



## Forks specifications

- Max. lifting capacity 3,000kg
- Max. working height 9.9m
- Max. working radius 6.5m
- Capacity @ max. height 2,000kg
- Capacity @ max. radius 800kg



Product specifications are subject to change without prior notice or obligation. The photographs and/or drawings in this document are for illustrative purposes only